



金航[®]承建有限公司

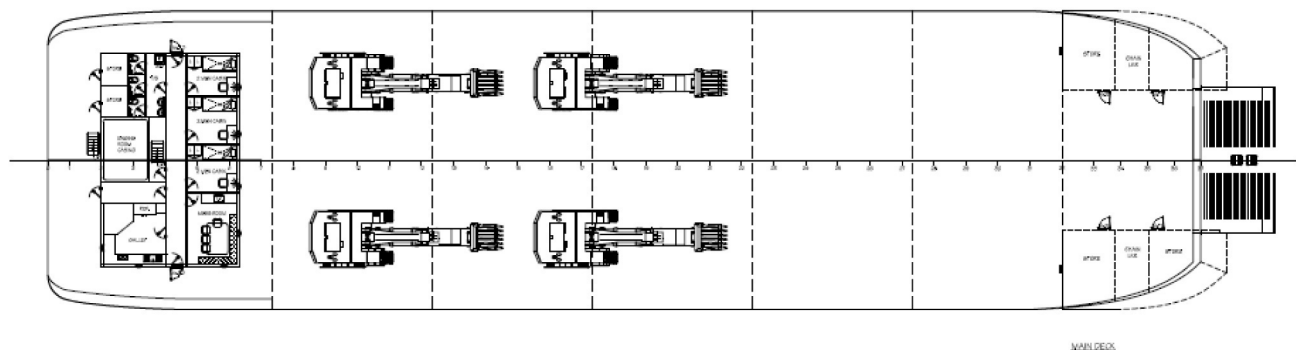
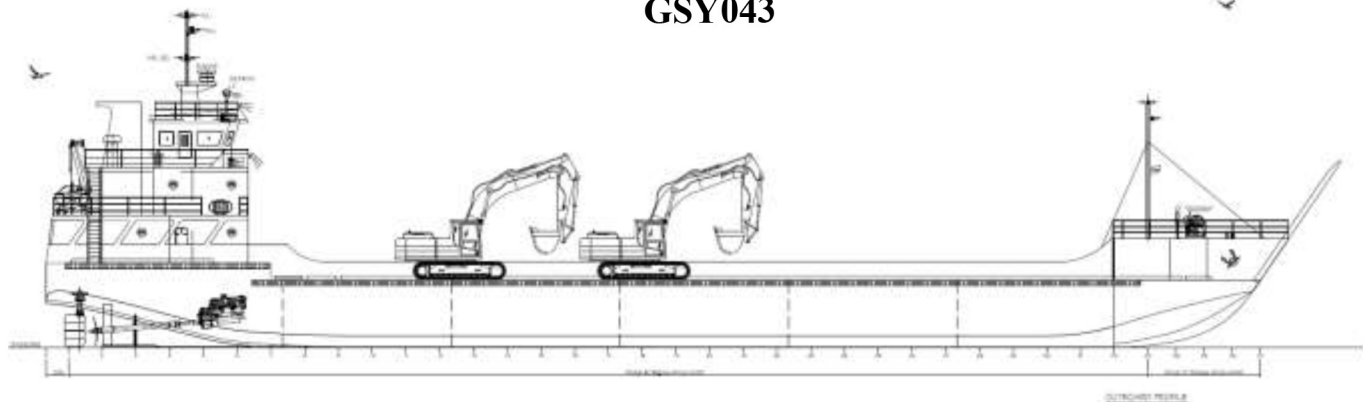
[804025-H]

GIMHWAK KEMUDI SANTUN SDN. BHD.

Web: <http://www.gimhwak.com> Email: gimhwak@gmail.com

“68M LANDING CRAFT” 1300HP LANDING CRAFT SPECIFICATION

GSY043



GENERAL

Builder	GIMHWAK SHIPYARD SDN. BHD.
Length (OA)	67.340M
Breadth Moulded	17.070M
Depth Moulded	3.660M
Draught Mld	2.500M
Classification	Kerajaan Malaysia(KM)
Speed	Free-Running:Approx. 10.0Knots
Accommodation	12 Mens
Year of Build	2016

MACHINERIES

Main Engines	2 X 640 HP @ 1800RPM, CUMMINS Model : KTA19-M3
Gear Box	Advance Gear box (Ratio 3:1)
Generators	2 X Cummins Generator Rate 28Kw

CANAAN SHIPYARD:

LOT 205 & 303,SG. MAAW RD, SG. BIDUT,
96000 SIBU, SARAWAK, MALAYSIA.
TEL: +6084-229318/229308 FAX: +6084-311163

GALILEE SHIPYARD:

OT26912, OFF SG. MAAW RD, SG. SADIT,
96000 SIBU, SARAWAK, MALAYSIA.
TEL: +6084-229318/229308 FAX: +6084-311163



GIMHWAK GROUP

Lot 205 & 303, Sg. Maaw Road, Sg. Bidut,
96000 Sibu, Sarawak, Malaysia.
Tel: +6 084-229308, 229318 Fax: +6 084-311163

**SHIPBUILDING, SHIPPING, SHIP REPAIRS,
GENSET, MARINE ENGINE, BLASTING**



Certificate No: KLR 6046305